

EIZO Rugged Solutions
Formerly Tech Source



Adapt Series

Rugged DisplayPort Video Format Converters

Description

The EIZO Rugged Solutions “Adapt Series” rugged video format converters are designed to convert DisplayPort into traditional video formats such as DVI or VGA. The product is ruggedized for military level shock and vibration (MIL-STD-810) and is able to operate in high temperature environments (-40 to 85°C). No external power is required.

Customers often have the need to support several legacy monitors with various input formats. Support of such monitors may require special graphics/video boards, therefore incurring NRE, long lead-times, etc. The Adapt video format converters alleviate the need for board re-designs and enables the use of the newer off-the-shelf rugged graphics cards with DisplayPort outputs.

The Adapt video format converters are designed to work with EIZO Rugged Solutions’ Condor graphics cards. For example, the Condor 4000xX-6DP XMC graphics card, which has six DisplayPort outputs available on rear XMC I/O that can be “adapted” to provide a combination of six video outputs of various formats as desired for the specific application. Another example is the Condor 4000xF, which outputs a DisplayPort output on the front panel that can be easily converted with an Adapt video format converter as well. The Adapt products can also be customized to support other connector types, such as male or female gender or circular connectors such as MIL-DTL-38999.

Product Specification

Video Outputs	Single-Link DVI or VGA (Other options may be available)
Video Input	DisplayPort (power pin required)
Power Input	DisplayPort cable provides power
Mating Connector Gender	Male (typical) or Female (optional)
Operating Temperature	-40°C to 85°C
Humidity	95% without condensation
Vibration	0.1g ² /Hz
Shock	40g

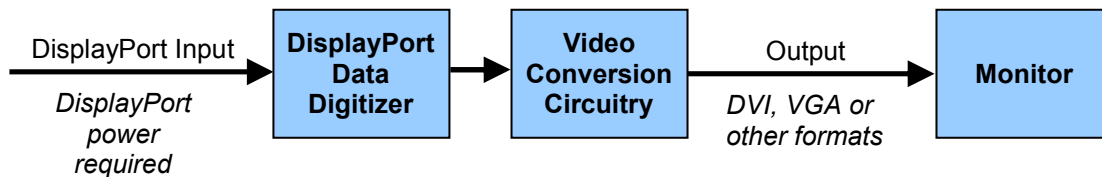
Features

- Converts DisplayPort to DVI or VGA
- Ruggedized for Military Level Shock and Vibration (MIL-STD-810)
- No External Power Required
- -40°C to 85°C Operating Temperature
- SWaP (Size, Weight and Power)
- Small Compact Form Factor
- Long Term Product Availability

Markets

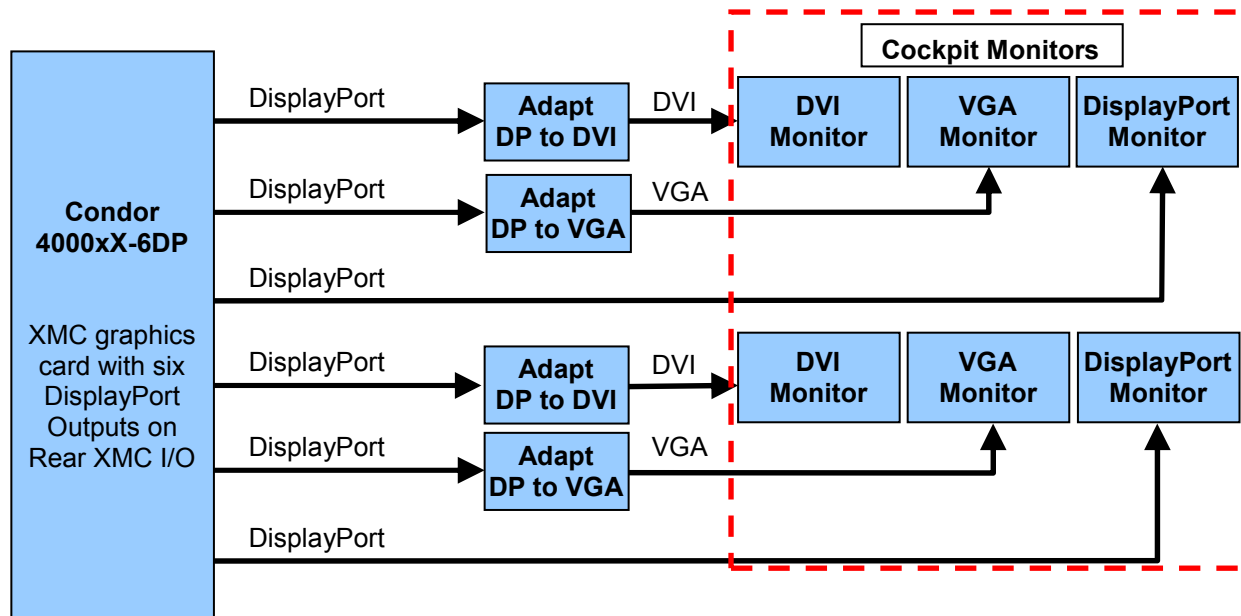
- Military, Avionics, Defense
- C4ISR, Command, Control, Communication & Cyber, Intelligence, Surveillance, Reconnaissance,
- Transportation
- Broadcasting
- UAV, UAS, UGV

Adapt Block Diagram



Use Case

The example below demonstrates the Adapt in a typical application with the Condor 4000xX-6DP. Multiple Adapt video format converters are used to convert the native DisplayPort outputs on the Condor 4000xX-6DP to a mix of DVI, VGA, and DisplayPort outputs going to six different monitors.



Bringing your projects to life[®]



EIZO Rugged Solutions
Formerly Tech Source

6/30/2017 Rev A

442 Northlake Blvd,
Altamonte Springs, FL 32701, USA
407-262-7100, rugged@eizo.com

www.eizorugged.com

EIZO Rugged Solutions Inc, Condor and the EIZO Rugged Solutions logo are trademarks of EIZO Corporation. EIZO name and logo are registered trademarks of EIZO Corporation. All other trademarks are the property of their respective owners. ©2017 EIZO Rugged Solutions. All rights reserved. Information in this document is subject to change without notice. EIZO Rugged Solutions assumes no responsibility for errors or omissions that may appear in this document.