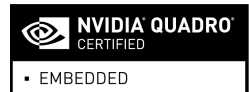




Condor GR4 3U VPX



NVIDIA® Pascal™ Based Rugged Graphics, GPGPU & Video Capture Card with Four 3G-SDI I/O

The Condor GR4 3U VPX is a 3U VPX form factor rugged graphics/GPGPU/video capture and processing card that is based on NVIDIA's Pascal™ GPU architecture. The product comes in 2 variants based on the NVIDIA® GPU – Quadro® P5000 or Quadro® P3000, in that order of decreasing performance. It offers exceptional GPGPU performance with both CUDA 5.1 and OpenCL™.

The Condor GR4 3U VPX also supports four 3G-SDI video inputs and outputs with support for the full HD resolution of 1920x1080@60Hz. One DisplayPort output that supports 4K UHD is also available. The 3G-SDI I/O can be configured as HD-SDI & SD-SDI if required.

The product supports PCI Express Gen 3 (8 or 4 lane) when mated with a compatible Single Board Computer (SBC). The maximum power consumption ranges from 50W to 125W depending upon the variant and application. Lower powered GPU options are available. Please contact us at condor@eizo.com for more information.

This product is ideal for a myriad of compute intensive applications that require 3G-SDI (or HD-SDI) data to be processed and displayed. Some examples are ISR, C4ISR and remote sensing / analysis. The board design is modular and allows for graphics performance upgrades in the future. It is designed to MIL-STD-810G standard and can operate in harsh environments with extended temperatures, shock and vibration, humidity, etc.

Windows and Linux drivers are provided on the x86 based platforms at no additional cost. The product can be customized for other IO configurations, video formats or form factors. Please contact EIZO Rugged Solutions at condor@eizo.com for more information.

EIZO Rugged Solutions, formerly Tech Source Inc, has provided graphics solutions since 1987. Responsiveness has been the key to our success. Product customizations or new designs can be developed in a short time to meet your needs. The product comes with EIZO Rugged Solutions' commitment of availability for up to 10 years from the date of release and product support of 15 years or more.

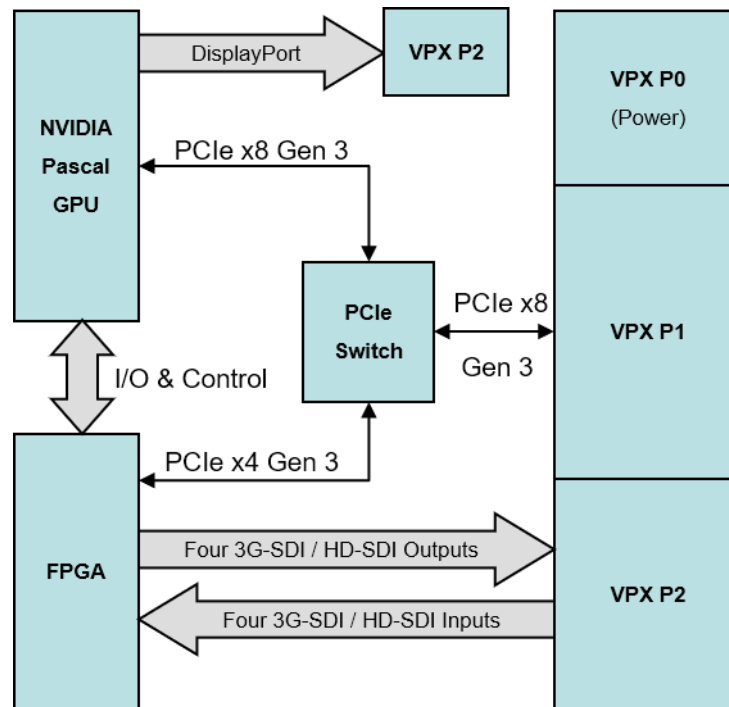
Key Features

- 3U VPX Form Factor, 1" Pitch.
- NVIDIA® Pascal™ GPU
- GPUs : NVIDIA® Quadro® P5000 or P3000
- Four 3G-SDI Inputs & Outputs
- One DisplayPort Output
- Supports NVIDIA CUDA® 5.1 and OpenCL™ 1.2
- HEVC (H.265) and AVC (H.264) Encode/Decode
- DirectX® 12, OpenGL 4.5, Shader 5.1 Support
- 8 or 4 Lane PCI Express 3.0
- Conduction Cooled
- Long Term Product Availability
- Comprehensive Customer Care
- Ideal for Rugged Applications (MIL-STD-810G)
- Windows & Linux Drivers Provided

Condor GR4 3U VPX Specifications

Graphics Processor	NVIDIA® Pascal™ GPU Architecture NVIDIA® Quadro® P5000 or Quadro P3000
Interface	3U VPX Form Factor, 1" Pitch (conduction cooled). 4, or 8 Lane (factory configured). PCI Express 3.0, 2.0
Graphics Memory	16GB (P5000) or 6GB (P3000) GDDR5
Video I/Os (Rear VPX P2)	Four 3G-SDI, HD-SDI, SD-SDI Video Inputs & Outputs One DisplayPort Video Output
DirectX / OpenGL Support	DirectX 12, OpenGL 4.5, Shader 5.1
OpenCL™ / CUDA™ (GPGPU computing)	CUDA 5.1, OpenCL™ 1.2, CUDA™ C, CUDA™ C++ 2048 (P5000) or 1280 (P3000) CUDA cores
Power Consumption	95W (P3000), or 125W (P5000) (based on application) <i>Lower Powered GPU options are available. Please contact us at condor@eizo.com</i>
Operating Temperature (MIL-STD-810G)	-40°C to 85°C (Rugged Conduction Cooled)
Humidity	95% without condensation
Vibration / Shock	Compliant with MIL-STD-810G
Software/Platform Support	Windows or Linux
	x86

Condor GR4 3U VPX Block Diagram



Bringing your projects to life®



EIZO Rugged Solutions
Formerly Tech Source

9/14/2018 Rev B

EIZO Rugged Solutions
442 Northlake Blvd
Altamonte Springs, FL 32701, USA
407.262.7100

Website: www.eizorugged.com Email: condor@eizo.com

EIZO Rugged Solutions Inc, Condor and the EIZO Rugged Solutions logo are trademarks of EIZO Corporation. EIZO name and logo are registered trademarks of EIZO Corporation. All other trademarks are the property of their respective owners. ©2018 EIZO Rugged Solutions. All rights reserved. Information in this document is subject to change without notice. EIZO Rugged Solutions assumes no responsibility for errors or omissions that may appear in this document.