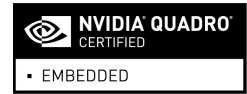
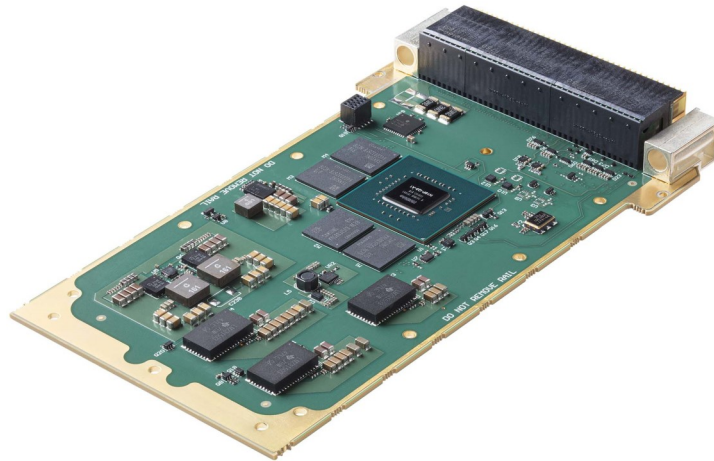




Condor GR5-P2000 3U VPX



Rugged 3U VPX Graphics & GPGPU Card with CUDA® Support Based on the NVIDIA® Quadro® P2000

The Condor GR5-P2000 3U VPX is a 3U VPX graphics & GPGPU card that is based on the “chip-down” NVIDIA® Quadro® Pascal™ P2000 GPU (GP107). The Condor GR5-P2000 3U VPX offers exceptional graphics and GPGPU capability with CUDA® support for the embedded /rugged market.

This extremely rugged chip-down design, with the GPU soldered directly on the VPX card, brings the power of NVIDIA and CUDA without a multi-chip module. It also offers very high GPGPU performance using CUDA™ or OpenCL™ up to 2.3 TFLOPs floating-point performance.

The Condor GR5-P2000 3U VPX is a conduction cooled or air cooled 3U VPX card that supports PCI Express 3.0 (16, 8 or 4 lane) when mated with compatible Single Board Computers (SBCs). There are two video output configurations. Two DisplayPort++ and two Single-Link DVI-D or Four Single-Link DVI-D outputs are available from the rear P2 VPX connector. The board can consume up to 50W based on the application.

The Condor GR5-P2000 3U VPX graphics / video card is ideal for a myriad of intensive compute applications. This product is designed to withstand high temperature, shock and vibration environments and because of this, the board meets MIL-STD-810G standards.

There are many customizations that are possible such as different video outputs from the rear VPX connectors or a front I/O configuration. Please contact EIZO Rugged Solutions at condor@eizo.com for more information.

The product comes with EIZO Rugged Solutions’ commitment of support from our experienced and responsive team who can offer immediate assistance to troubleshoot and resolve any technical challenges.

Windows and Linux drivers are provided for x86 based platforms. The max power consumption of the board can be temporarily reduced by adjusting the graphics clock speed with a software utility after boot.

EIZO Rugged Solutions has provided graphics solutions for over three decades and has always met customer needs with long term commitment and support.

Key Features

- 3U VPX Form Factor
- NVIDIA® Quadro® Pascal™ P2000 (GP107)
- Chip-down design
- Two Output Configurations:
 - (1) Two Rear DisplayPort++ Video Outputs and two Rear Single-Link DVI-D Video Outputs or
 - (2) Four Rear Single-Link DVI-D Outputs
- Supports NVIDIA CUDA® 10 and OpenCL™ 1.2
- 4 GB GDDR5 Graphics Memory
- 128-bit Memory Width
- Up to 96 GB/s Memory Bandwidth
- 768 NVIDIA CUDA Cores
- Up to 2.3 TFLOPs of CUDA Processing Performance
- DirectX® 12 & OpenGL 4.6 Support
- 16, 8 or 4 Lane PCI Express 3.0
- H.265 (HEVC) / H.264 Hardware Encode/Decode
- NVIDIA GPUDirect™ DMA
- Designed to MIL-STD-810G
- Conduction Cooled
- Long Term Product Availability
- Comprehensive Customer Care

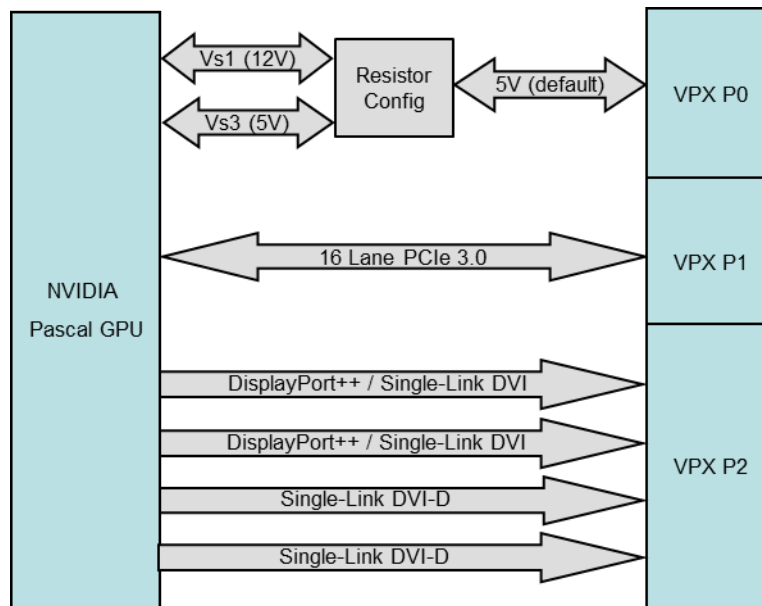
Platforms

- Linux / Windows 7, 8, 10 on x86
- 3U VPX

Condor GR5-P2000 3U VPX Specifications

Graphics Processor	NVIDIA® Pascal™ GPU Architecture (GP107. Chip-down) NVIDIA® Quadro® P2000
Interface	3U VPX Form Factor. 1" Pitch (Conduction Cooled). 1" Pitch (Air Cooled) 16, 8 or 4 Lane PCI Express 3.0, 2.0, 1.0
Graphics Memory & Bandwidth	Quadro P2000: 4 GB GDDR5, 96 GB/s, 128-bit
Video Outputs (Rear VPX P2)	Two DisplayPort++ & Two Single-Link DVI-D Or Four Single-Link DVI-D
DirectX / OpenGL Support	DirectX 12, OpenGL 4.6
GPGPU Capabilities	CUDA 10 (Compute Capability 6.1), OpenCL™ 1.2, CUDA™ C, CUDA™ C++ 768 CUDA Cores Up to 2.3 TFLOPs Floating-point Performance FP32 H.265 (HEVC) / H.264 Hardware Encode & Decode Capability
Power Consumption	50W (based on application)
Operating Temperature (MIL-STD-810G)	-40°C to 70°C (Rugged Air Cooled) -40°C to 85°C (Rugged Conduction Cooled) Please Refer to the <i>Condor GR5-P2000 Hardware User Guide</i> for details on temperature/performance characterization.
Humidity	95% Without Condensation
Vibration / Shock	Designed to be Compliant with MIL-STD-810G
Software/Platform Support	Windows or Linux x86

Condor GR5-P2000 3U VPX Block Diagram



For customizations involving I/O or pin-outs, please contact condor@eizo.com

Bringing your projects to life™



EIZO Rugged Solutions

10/7/2019 Rev B

EIZO Rugged Solutions
442 Northlake Blvd
Altamonte Springs, FL 32701, USA
407.262.7100

Website: www.eizorugged.com Email: condor@eizo.com

EIZO Rugged Solutions Inc, Condor and the EIZO Rugged Solutions logo are trademarks of EIZO Corporation. EIZO name and logo are registered trademarks of EIZO Corporation. All other trademarks are the property of their respective owners. ©2019 EIZO Rugged Solutions Inc. All rights reserved. Information in this document is subject to change without notice. EIZO Rugged Solutions assumes no responsibility for errors or omissions that may appear in this document.