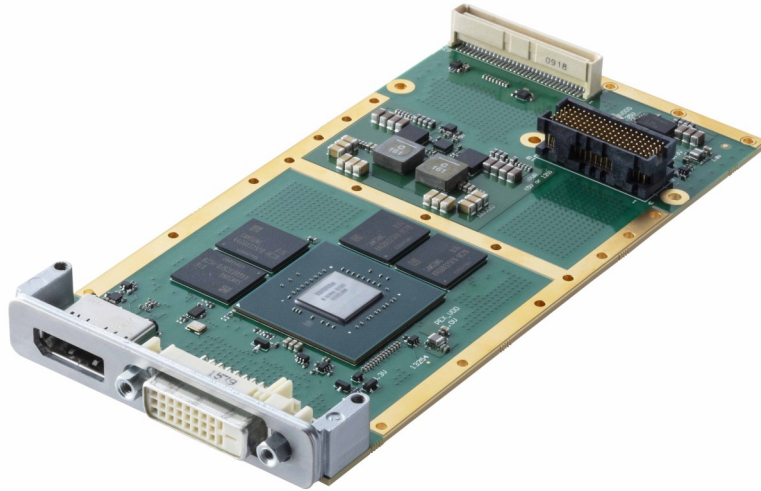




Condor NVP2000xPF



NVIDIA® Quadro® P2000 (GP107) XMC Graphics & GPGPU Card with Two Rear PMC I/O and One Front DVI Video Output

The Condor NVP2000xPF is a rugged XMC graphics & GPGPU card based on the NVIDIA Quadro P2000 (GP107) GPU featuring NVIDIA Pascal GPU architecture. The board is designed for use in applications that require very high-end graphics capabilities or CUDA support when performing GPGPU. This extremely rugged chip-down design, with the GPU directly on the XMC card, brings the power of NVIDIA and CUDA to a small form factor XMC card for the first time. The board has one Dual-Link and one Single-Link DVI video output available from the rear PMC I/O connector Pn4. The front panel supports one Dual-Link DVI and one DisplayPort++ video output. The front and rear Dual-Link DVI outputs are mutually exclusive.

The board is currently being offered in Air Cooled configuration with rear PMC I/O on Pn4 and front panel I/O. A conduction cooled version of the board is also available. 3U VPX and PCIe form factors are supported with carrier boards. This board can be used in conjunction with our Adapt™ series product line to support additional DVI or VGA from the DisplayPort output.

The Condor NVP2000xPF graphics processor is ideal for GPGPU applications such as radar and video surveillance / analysis. At the maximum power consumption, the card provides 2.3 TFLOPs of single precision floating point compute performance (FP32). Another powerful feature is the H.265 (HEVC) / H.264 hardware encode/decode capability. Video data can be sent over PCIe directly to GPU memory for analysis / processing using GPUDirect DMA. Windows or Linux drivers are available for x86 systems.

The product comes with EIZO Rugged Solutions' commitment of long term product availability. This comes with the legendary support of our seasoned team members, who may offer immediate assistance to troubleshoot and resolve any technical challenges.

EIZO Rugged Solutions has provided graphics solutions for over three decades and has always met customer needs with long term commitment and support.

Key Features

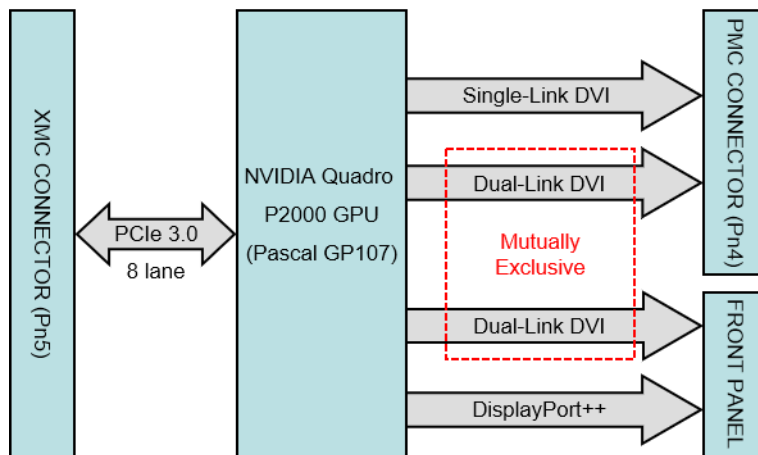
- NVIDIA Quadro P2000 GPU (Pascal GP107)
- XMC Form Factor (3U VPX & PCIe w/ carrier board)
- Rear PMC I/O on Pn4 & Front Panel Video Outputs
- Rear PMC: One Dual-Link & One Single-Link DVI
- Front Panel: One Dual-Link DVI & DisplayPort++
- GPGPU - Supports CUDA 6.1 and OpenCL 1.2
- 4 GB GDDR5 Graphics Memory
- 128-bit Memory Width
- 96 GB/s Memory Bandwidth
- 768 NVIDIA CUDA Cores
- 2.3 TFLOPs of CUDA Processing Performance
- OpenGL 4.5, DirectX 12
- H.265 (HEVC) / H.264 Hardware Encode/Decode
- NVIDIA GPUDirect DMA
- MIL-STD-810G Certified
- Conduction Cooled & Air Cooled
- Long Term Product Availability
- Comprehensive Customer Care

*For products with inputs, please refer to
Condor NVP21XX brochures.*

Condor NVP2000xPF Specifications

Graphics Processor	NVIDIA Quadro P2000 GPU (Pascal GP107, chip-down) Supporting DirectX 12 and OpenGL 4.5 H.265 (HEVC) / H.264 Hardware Encode & Decode Capability NVIDIA GPUDirect DMA
Interface	XMC 1.0 or XMC 2.0 8 Lane PCIe 3.0 (PCIe and 3U VPX Carrier Boards Available)
Graphics Memory	4 GB GDDR5 128-bit Memory Width 96 GB/s Memory Bandwidth
Video Outputs	Rear Pn4 PMC I/O : One Dual-Link DVI* & One Single-Link DVI Front Panel: One Dual-Link DVI* & One DisplayPort++ *Note: The Rear Dual-Link DVI and Front Dual-Link DVI are mutually exclusive
GPGPU Capabilities	Supports CUDA 6.1, Open CL 1.2 and Shader Model 5.0 768 NVIDIA CUDA Cores 2.3 TFLOPs FP32 Single Floating Point Compute Performance Peak
Power Rating	25 - 50W
Operating Temperature (MIL-STD-810G)	-45°C to 85°C (Rugged Conduction Cooled) -40°C to 70°C (Rugged Air Cooled) 0°C to 55°C (Standard Air Cooled)
Humidity	95% Without Condensation
Vibration (MIL-STD-810G)	0.1 g ² /Hz
Shock (MIL-STD-810G)	40g
Software Support	Windows or Linux on x86

Condor NVP2000xPF Block Diagram



Bringing your projects to life™



EIZO Rugged Solutions
Formerly Tech Source

9/27/2018 Rev A

EIZO Rugged Solutions
442 Northlake Blvd
Altamonte Springs, FL 32701, USA
407-262-7100

Website: www.eizorugged.com Email: condor@eizo.com

EIZO Rugged Solutions, Condor, Adapt and the EIZO Rugged Solutions logo are trademarks of EIZO Corporation. EIZO name and logo are registered trademarks of EIZO Corporation. All other trademarks are the property of their respective owners. ©2018 EIZO Rugged Solutions. All rights reserved. Information in this document is subject to change without notice. EIZO Rugged Solutions assumes no responsibility for errors or omissions that may appear in this document.