

**EIZO Rugged Solutions**  
Formerly Tech Source



## Rugged 3G-SDI 1x4 Video Splitter with Signal Regeneration

### Description

The Hydra 1004 is a rugged 3G-SDI 1x4 video splitter designed to operate in rugged environments with high temperatures. The 3G-SDI, HD-SDI or SD-SDI video input is split into four outputs for viewing or distribution. Signal regeneration (Re-clocked) ensures that the video quality is not compromised. All connectors including power are front-facing for ease of mounting. Power and SDI link status LEDs are mounted on the front of the unit. For extended environmental specifications, military certifications and other variations and video formats please contact us at [rugged@eizo.com](mailto:rugged@eizo.com).

### Product Specification

|                       |   |
|-----------------------|---|
| Interface             | 3G-SDI over BNC                           |
| Dimensions            | 1.37H" x 5.25W" x 3.15L" Meets NEMA 4     |
| Power Input           | 28 VDC (MIL-DTL-D38999)                   |
| Video Input           | One 3G-SDI, HD-SDI or SD-SDI on BNC Male  |
| Video Outputs         | Four 3G-SDI, HD-SDI or SD-SDI on BNC Male |
| Operating Temperature | -40°C to 85°C                             |

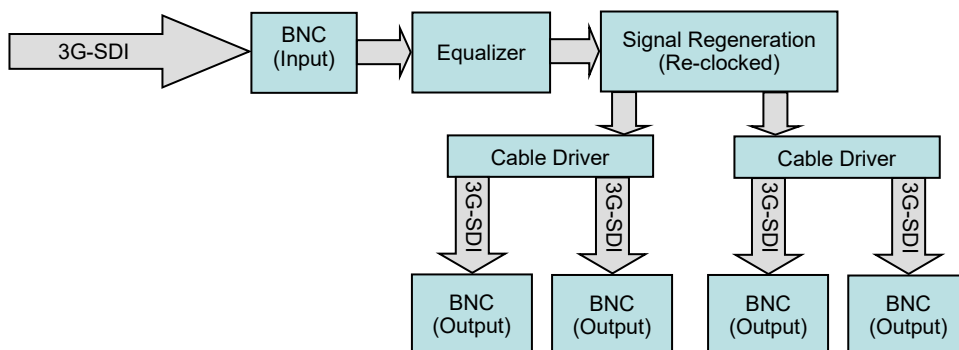
### Key Features

- 1x4 Video Splitter
- One 3G-SDI Input (BNC)
- Four 3G-SDI Outputs (BNC)
- Signal Regeneration (Re-clocked)
- Low Power
- -40°C to 85°C Operating Temperature
- Power and SDI Link Status LEDs
- Front-Facing Connectors
- Small Compact Form Factor
- Long Term Product Availability

### Markets

- Military, Avionics, Defense
- C4ISR, Command, Control, Communication & Cyber, Intelligence, Surveillance, Reconnaissance
- Transportation
- Broadcasting
- UAV, UAS, UGV

### Block Diagram



**Bringing your projects to life<sup>®</sup>**

**EIZO Rugged Solutions, Inc.**

442 Northlake Blvd

Altamonte Springs, FL 32701, USA

407-262-7100

**Website: [www.eizorugged.com](http://www.eizorugged.com)**

**Email: [rugged@eizo.com](mailto:rugged@eizo.com)**

EIZO Rugged Solutions, Inc. and the EIZO Rugged Solutions logo are trademarks of EIZO Corporation. EIZO name and logo are registered trademarks of EIZO Corporation. All other trademarks are the property of their respective owners. ©2018 EIZO Rugged Solutions, Inc. All rights reserved. Information in this document is subject to change without notice. EIZO Rugged Solutions assumes no responsibility for errors or omissions that may appear in this document.