



Tyton VS2X



Rugged H.265 (HEVC) Video/Audio Encoder with Four 3G-SDI Inputs and Metadata

Tyton VS2X is a powerful HEVC/H.265 video encoding and streaming solution that is designed to serve video transmission needs in harsh field environments. With low latency encoding and low power consumption, Tyton VS2X is non-intrusive and feature rich.

Tyton VS2X is ruggedized to survive harsh environments (shock, vibration, humidity) and temperatures from -45°C to 85°C (MIL-STD-810 & IP67). It comes with dedicated mounting holes and is orientation insensitive.

Tyton VS2X encodes and streams four 3G-SDI, HD-SDI, SD-SDI video inputs simultaneously. Each input can be software configured and routed to any of the product's eight dynamic encoding cores for H.265 (HEVC) or H.264 encoding. The encoding parameters are highly configurable with support for main (H.265/H.264), high & baseline profiles (H.264 only), all with variable bitrate configurations (512 Kbps to 30 Mbps).

CoT and KLV metadata insertion are supported via RS-232, VANC (embedded on SDI input) or Ethernet. CoT data can be forwarded out via a dedicated socket or converted to KLV and multiplexed into the MPEG-2 TS container. The resulting MPEG-2 TS video is then streamed out over UDP with optional RTP support headers. This standardization ensures interoperability with the decoders and displays retrieving the encoded stream.

Control of encoding settings and retrieval of Tyton VS2X health information are all performed using an API built around SNMP for simple and secure communication. This API is built for easy integration into existing customer applications. Several sample applications are provided to ensure prompt integration into a working system.

In the standard configuration, the product accepts four high definition video inputs in 3G/HD/SD-SDI format through BNC connectors. Audio, 1Gbps Ethernet & RS-232 are connected over a 37-pin rugged connector.

To accommodate other video input formats and connector types, small modifications to the design are possible even for low volume opportunities.

EIZO Rugged Solutions, formerly Tech Source Inc, has provided graphics solutions for over three decades. Responsiveness has been the key to our success. Product customizations or new designs can be developed in a short time to meet your needs. The product comes with our commitment of availability for up to 10 years from the date of release and product support up to 15 years.

Key Features

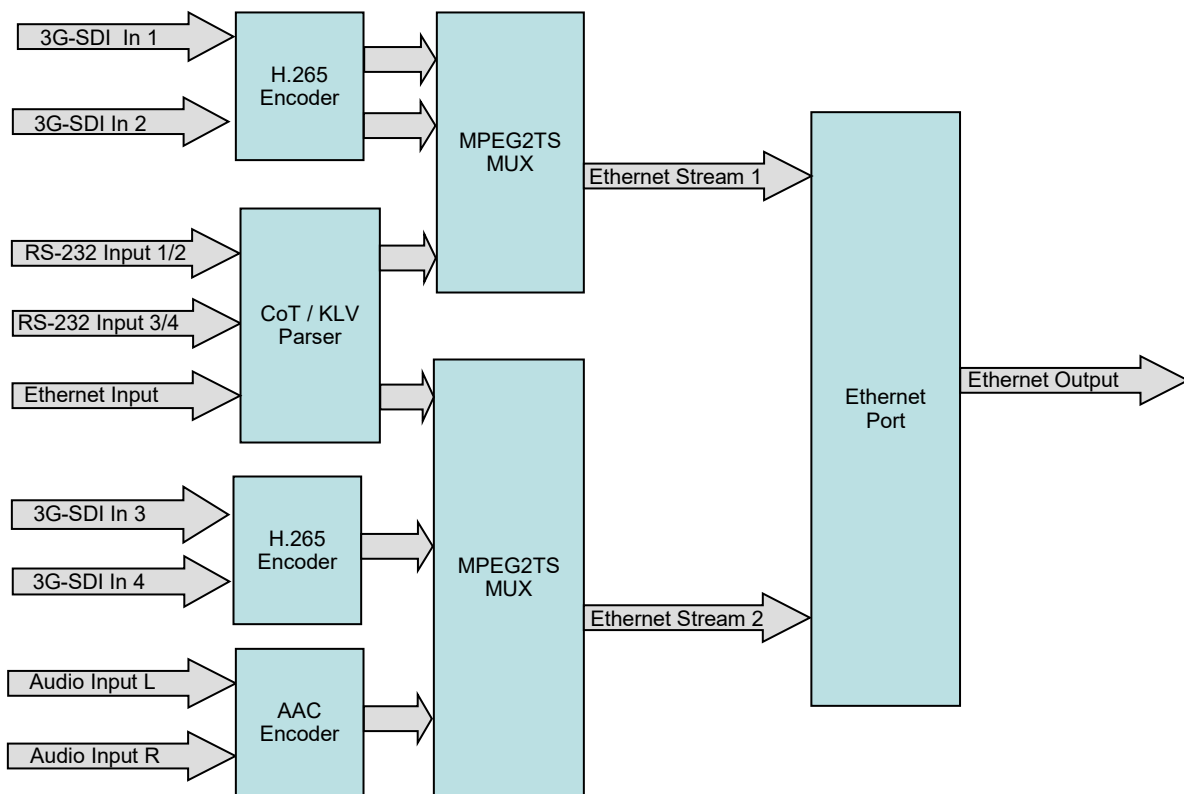
- Fully Ruggedized 123.75 Cubic Inch LRU
- Low Size, Weight and Power (SWaP)
- Four 3G-SDI Video Inputs
- H.265/H.264 Video Encoding and Streaming
- Main Profile (H.265 / HEVC)
- High, Baseline and Main Profiles (H.264)
- CoT & KLV Metadata Insertion (VANC, RS-232 & Ethernet)
- 1Gbps Ethernet Output
- AAC Audio Encoding
- MPEG-2 TS Muxing of Video, Audio and CoT/KLV Metadata
- Low Power & Low Latency
- -45°C to 85°C Operating Temperature
- Ruggedized for Vibration, Shock and Humidity (MIL-STD-810 & IP67)
- SNMP Control Support
- Small Compact Form Factor
- Control API for Windows XP/7 & Linux
- Long Term Product Availability

Bringing your projects to life®

Tyton VS2X Specifications

Video Encoding	H.265 HEVC. H.264. MPEG-2 Transport Stream (Capable of creating multiple encoded video streams per input)
Encoding Profiles	H.265 : Main Profile with Adjustable Bitrate. AAC Audio Encoding H.264 : (MPEG-4 AVC part 10) Baseline, Main, and High Profiles (512 Kbps to 30 Mbps; Constant & variable rate control)
Inputs	Four 3G-SDI, HD-SDI, SD-SDI (75 Ohm BNC connectors) Two Stereo Audio R/L (37-pin circular MIL spec connector) Four RS-232 for CoT/KLV Metadata (37-pin circular MIL spec connector)
Ethernet Output	10/100/1000 Base-t, w/ Two MPEG-2 TS RTP/UDP Streams (22-pin circular MIL spec connector), auto-detect, half and full duplex, Static IP and DHCP support.
Resolution Support	3G-SDI SMPTE 424M , SMPTE 425M HD-SDI : SMPTE 292M, SMPTE 274M, SMPTE 296M SD-SDI: SMPTE 259M-C 1920c1080p 60/59.94/50/30/29.97/25/23.98 Hz 1920x1080i 60/59.94/50 Hz 1280x720p 60/59.94/50/30/29.97/25 Hz 720x480i & 576i 60/59.94/50 Hz
Encoder Configurable Parameters Per Stream	Framing: I, IP, IBP, and IBBP Group of Picture (GOP) size Frame Rate Bit Rates 64kbps to 30 Mbps CBR and VBR Downscaling
Number of Streams Supported	8 Total Stream (2 per input or various combinations)
Encoder Latency	60msec or less (image and encoding parameters effects latency)
Encoding Performance	(4) Streams Simultaneously at 3G-SDI SMPTE 424M , SMPTE 425M (8) Streams Simultaneously at HD-SDI : SMPTE 292M, SMPTE 274M, SMPTE 296M Or SD-SDI: SMPTE 259M-C
Network Protocalls	Multicast streaming with IGMP V3 Multicast UDP Streaming MPEG Transport over UDP/RTP Unicast and Multicast H.264 over RTP(RFC 3984) support.
Video and Metadata	KLV over SDI and UDP Supported SMPTE 336M, MISB 0601.6, MISB 604.2 Compliant
Management	HTTPS, SNMP, SSH and API
Operating Temperature	-45°C to 85°C
EMI	Designed to meet MIL-STD-461-F, tested per contract
Airborne Specification	Designed to meet DO-160, testing per contract
Shock / Vibration / Humidity	MIL-STD-810G & IP67
MTBF	>45,000 Hours MIL-HDBK-217F AUF
Power	28VDC, 30W max, to MIL-STD-1275 E on 5-pin MIL-STD-38999 connector
Dimensions and Weight	152.40mm W x 69.84mm H x 190.50mm D. ≈ 2.0 kg

Tyton VS2X Block Diagram



EIZO Rugged Solutions
Formerly Tech Source

4/18/2018 Rev E

EIZO Rugged Solutions

442 Northlake Blvd
Altamonte Springs, FL 32701, USA
407.262.7100

Website: www.eizorugged.com Email: tyton@eizo.com

EIZO Rugged Solutions Inc, Tyton and the EIZO Rugged Solutions logo are trademarks of EIZO Corporation. EIZO name and logo are registered trademarks of EIZO Corporation. All other trademarks are the property of their respective owners. ©2018 EIZO Rugged Solutions. All rights reserved. Information in this document is subject to change without notice. EIZO Rugged Solutions assumes no responsibility for errors or omissions that may appear in this document.